

**Output Rail-to-Rail, High Slew-Rate OP Amp****Features**

- +3V to 5.5V Single Supply Operation
- Low Quiescent Current
- High Signal-to-Noise Ratio
- High Output Driving Capacity
- Large Output Voltage Swing
- High PSRR 70dB
- High DC Gain 90dB
- High CMRR 70dB
- High Slew Rate 5V/μs
- High Bandwidth 6MHz

**Applications**

- Portable Equipment
- Battery-Powered Equipment
- ASIC Input / Output Buffer Amplifier
- Sensor Amplifier
- Multimedia Audio
- Low Power / Low Voltage Application

**General Description**

The G1201A is an output rail-to-rail general purpose operation amplifier. It can operate from 3V to 5.5V. The quiescent is only 3mA @ 5V supply voltage.

The DC gain of the G1201A is about 90dB @5kΩ loading and the bandwidth is 6MHz. The slew rate is 5V/μs @2kΩ loading.

Fast transition response and AC performance make the G1201A suitable for many portable and buffers applications.

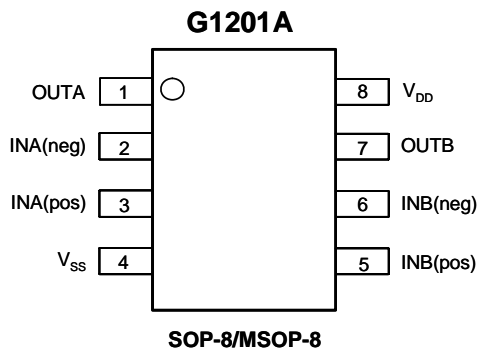
SOP-8 and MSOP-8 packages are available.

**Ordering Information**

ORDER NUMBER	MARKING	TEMP. RANGE	PACKAGE (Pb free)
G1201AP1U	G1201A	-40°C to +85°C	SOP-8
G1201AP8U	G1201A	-40°C to +85°C	MSOP-8

Note: P1: SOP-8 P8: MSOP-8

U: Tape & Reel

**Pin Configuration****Typical Application Circuit**