

## Rail-to-Rail I/O OP Amp

### Features

- Single-Supply Operation: 2.0V to 5.5V
- Low Supply Current: 700 $\mu$ A
- Wide Bandwidth: 3MHz
- Slew Rate: 1 V/ $\mu$ s
- No Phase Reversal
- Unity Gain Stable
- Small, SOT-23-5 Package available

### Applications

- Battery-Powered Instruments
- Portable Equipment
- Audio Signal Conditioning
- Multimedia Audio
- ASIC Input or Output Amplifier

### General Description

The G1212 is a rail-to-rail input and output single-supply amplifiers. This high output current makes these amplifiers excellent for driving either resistive or capacitive loads. AC performance is very good with 3.0MHz bandwidth.

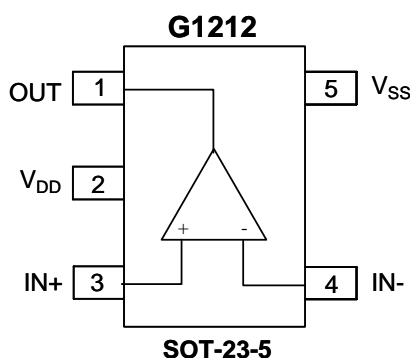
The very low input bias currents enable the G1212 to be used for integrators and diode amplification and other applications requiring low input bias current. The supply current is only 700 $\mu$ A per amplifier at 3.0V, allowing low current applications to control high current loads.

Applications include audio amplification for computers, sound ports, sound cards and set-top boxes. The G1212 is very stable and capable of driving capacitive loads. The ability to swing rail-to-rail at the inputs and outputs enables designers to buffer CMOS ADC/DACs, ASICs or other wide output swing devices in single-supply systems.

### Ordering Information

ORDER NUMBER (Pb free/Green)	MARKING	TEMP. RANGE	PACKAGE
G1212f	12xx	0°C~70°C	SOT23-5

### Pin Configuration



### Typical Application Circuit

