

Dual Rail-to-Rail I/O, High-Slew-Rate OP Amp

Features

- +2.2V to +5.5V Single-Supply Operation
- Input / Output Rail-to-Rail
- Low Input Current
- High Output Driving Capacity
- Low Quiescent Current: 1mA @ 5V
- High Slew Rate 6V/μs
- High Gain-Bandwidth Product 2.5MHz
- High Open Loop Gain 95dB
- High PSRR 70dB

Applications

- Headphone Driver
- Portable Equipment
- Battery-Powered Equipment
- Multimedia Audio
- ASIC Input or Output Amplifier
- Sensor Amplifier
- Low Power/Low Voltage Applications

General Description

G1224 is a input/output rail-to-rail Operational Amplifier. It can be operated from +2.2V to +5.5V single supply or from ±1.1V to ±2.75V dual supply. G1224 can drive 66mA into resistor loads to within 10% power rail each amplifier. AC performance is very excellent with 2.5MHz bandwidth, 6V/μs Slew Rate, 95dB open loop gain, 60 degree phase margin and low distortion.

Supply current of G1224 is only 500μA per Amplifier. It is very suitable for low current consumption applications to control high current loads. Applications include audio amplification for computers, sound ports, sound cards and set-top boxes.

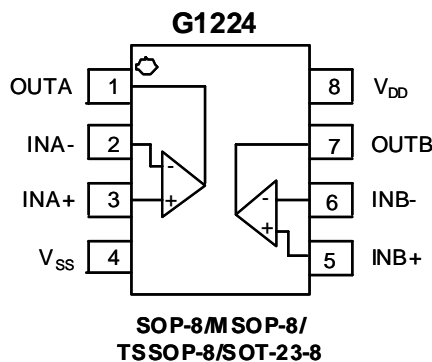
G1224 is available in 8pins SOP-8, MSOP-8, TSSOP-8 and SOT-23-8 package.

Ordering Information

ORDER NUMBER	MARKING	TEMP. RANGE	PACKAGE (Green)
G1224P1U	G1224	-40°C to 85°C	SOP-8
G1224P8U	G1224	-40°C to 85°C	MSOP-8
G1224D1U	G1224	-40°C to 85°C	TSSOP-8
G1224TMU	1224x	-40°C to 85°C	SOT-23-8
G1224TMD	1224x	-40°C to 85°C	SOT-23-8

Note: P1: SOP-8 P8: MSOP-8 D1: TSSOP-8 TM: SOT-23-8
U & D: Tape & Reel

Pin Configuration



Typical Application Circuit

