

2.6W Mono Audio Amplifier with Shutdown Mode

Features

- Depop Circuitry Integrated
- 2.7V to 5.5V Operation
- Output Power at 10% THD+N, VDD=5V
--2.6W (typical) into a 3Ω Load
- Output Power at 1% THD+N, VDD=5V
--2W (typical) into a 4Ω Load
--1.3W (typical) into a 8Ω Load
- Mono Bridge-Tied Load (BTL)
- Shutdown Control Available
- SOP-8, MSOP-8, SOP-8 (FD) and TDFN3X3-8 Package Available

General Description

The G1442 is a mono audio power amplifier in 8 pin SOP-8, MSOP-8, SOP-8 (FD) or TDFN3X3-8 with thermal pad package. It can drive 2W continuous RMS power into 4Ω load in Bridge-Tied Load (BTL) mode at 5V supply voltage. Its THD is smaller than 1% under the above operation condition. For the low current consumption applications, the SHDN mode is supported to disable the G1442 when it is idle. The current consumption can be further reduced to below 1μA.

Giving the SHUTDOWN pin low level will drive the G1442 entering the shutdown.

Applications

- PDAs
- Portable Devices
- Notebook

Ordering Information

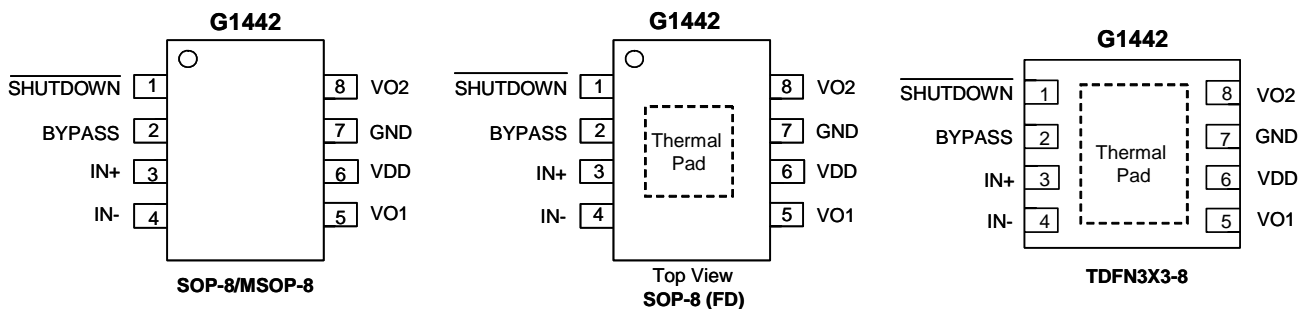
ORDER NUMBER	MARKING	TEMP. RANGE	PACKAGE (Green)
G1442P11U	G1442	-40°C to +85°C	SOP-8
G1442P81U	G1442	-40°C to +85°C	MSOP-8
G1442F11U	G1442	-40°C to +85°C	SOP-8 (FD)
G1442RD1D	1442	-40°C to +85°C	TDFN3X3-8
G1442RD1U	1442	-40°C to +85°C	TDFN3X3-8

Note: P1: SOP-8 P8: MSOP-8 F1: SOP-8 (FD) RD: TDFN3X3-8

1: Bonding Code

U & D: Tape & Reel

Pin Configuration



Note: Recommend connecting the Thermal Pad to the GND for excellent power dissipation.