

Low Power Quadruple Operational Amplifiers

Features

- Wide Supply Operation Range +4.5V to +16.5V
- Input Common Voltage Range Beyond the Rails
- Rail-to-Rail Output Voltage Swing
- Low Input Offset Voltage 3mV (Typical)
- Wide Bandwidth (unit gain) 30MHz
- Low Quiescent Current: 2mA per Amplifier
- Large DC Voltage Gain 85dB (Typical)
- Slew-Rate 30V/μs
- Unit-Gain Stable

Applications

- Portable Equipment
- LCD-TV Equipment
- Battery-Powered Equipment
- ASIC Input or Output Amplifier
- Low Power/Low Voltage Applications

General Description

The G1559 consists of four independent, high gain, internally frequency compensated operational amplifiers which were designed to operate from a single power supply over a wide range of voltages. Operation from split power supplies is also possible. The input common mode range of the G1559 can be beyond the rails, and the G1559 are with rail-to-rails output voltage swing. The quiescent current is 2mA per amplifier.

The G1559 also feature fast slewing and settle-times, as well as high output drive capability of 300mA (source/sink). These features make these amplifiers ideal for use as reference buffers for TFT-LCD. Other applications include battery power, portable devices, and anywhere low power consumption is important.

The G1559 is housed in a TSSOP-14 and TSSOOP-14 (FD) packages.

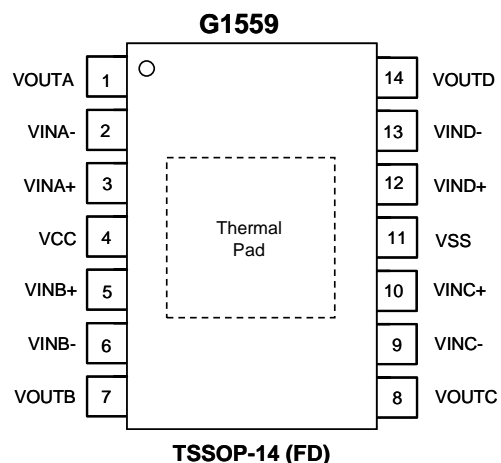
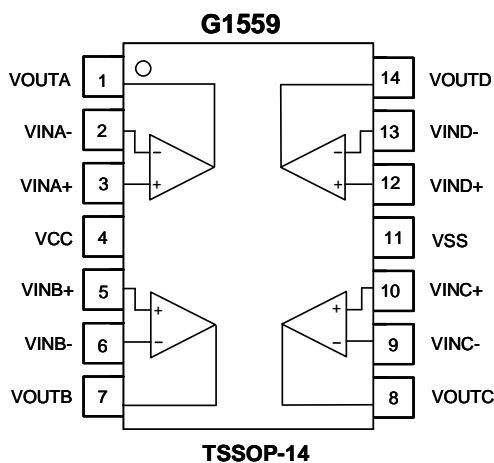
Ordering Information

ORDER NUMBER	MARKING	TEMP. RANGE	PACKAGE (Green)
G1559D21U	G1559	-40°C~ +85°C	TSSOP-14
G1559FA1U	G1559	-40°C~ +85°C	TSSOP-14 (FD)

Note: D2: TSSOP-14 FA: TSSOP-14 (FD)

1: Bonding Code
 U: Tape & Reel

Pin Configuration



Note: Recommend connecting the Thermal Pad to the Pin#11 VSS for excellent power dissipation.