

## 5+1CH serial input motor driver IC for DSC

### Features

- Build-in one micro-steps drive mode is possible from 2-2 phase stepper drive to maximum 1024 resolution micro-steps.
- Built in 2 full-swing/constant voltage drivers switched by serial control with brake function
- Built in 1 constant current drivers for shutter or IRIS
- Built in CH3 DCM FLL function
- Low on-resistance (1.2Ω, sum of on-resistance of upside and bottom side)
- Output current :  $I_{out} \leq 0.8A$ (max.) for each channel
- Build-in thermal shutdown (TSD, 150°C)
- All power supply systems (VCC, VM12, VM3, VM45) can be set up with an independent power supply
- Power save mode corresponds by serial control setup
- PI (photo interrupter drive) 3 channel built-in.
- Small 32TQFN (4×4mm) is adopted
- Build-in POR (power on reset).

### Applications

- Stepping motor driver/ DC motor driver for DSC

### General Description

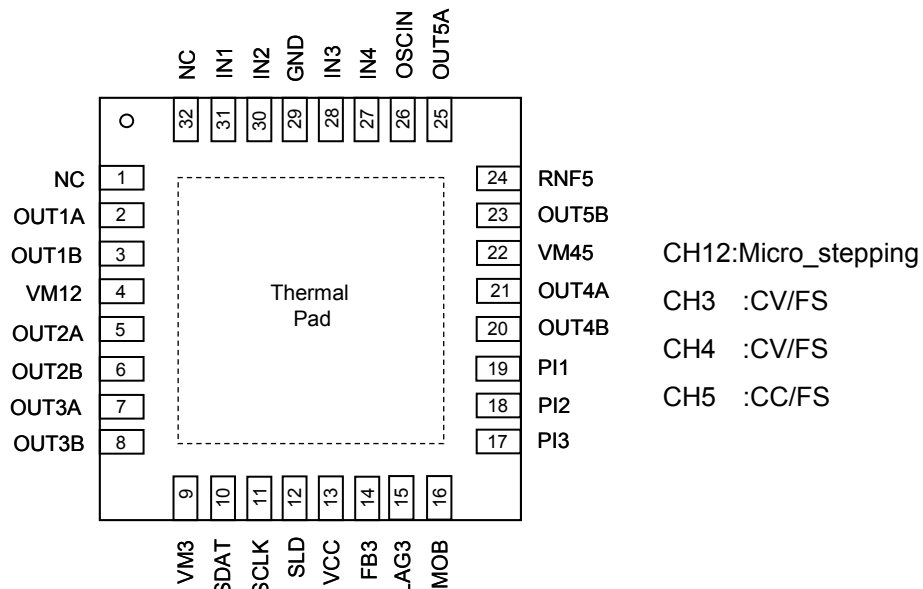
G2018 is a 5+1-channel H-Bridge motor drivers IC for the digital camera and so on. It has one micro-stepping driver, two full-swing/constant voltage drivers and one full-swing/constant current drivers. G2018 can be operated in serial control mode or partial exterior control mode. When operating in partial exterior control mode, the mode of each CH is fixed by initial serial control setting. When operating in serial control mode, the mode of each driver can be setting by serial control.

### Ordering Information

ORDER NUMBER	MARKING	TEMP. RANGE	PACKAGE (Green)
G2018K11U	2018	-20°C to +85°C	TQFN4X4-32

Note: K1: TQFN4X4-32  
 1: Bonding Code  
 U: Tape & Reel

### Pin Configurations



**G2018 TQFN4X4-32**

Note: Recommend connecting the Thermal Pad to the Ground for excellent power dissipation.