

6+6 Channels PMU for DSC

Features

- 2.5V ~ 5.5V Input Voltage Operation
- 95% Efficient DC/DC Converter
- Built-in 1-ch synchronous boost converter, 1-ch auto buck-boost converter, 3-ch synchronous buck converter, 1-ch WLED driver, 4-ch LDOs, 1-ch power switch for CMOS image sensor, and 1-ch low quiescent current LDO for RTC.
- 32-steps brightness control by I²C for WLED Driver
- Low Power consumption (Sleep Mode) < 10μA.
- Built-In Selectable Power ON/OFF Sequence.
- Built-In Short Circuit Protection (SCP), Under Voltage Protection (UVP), and cycle-by cycle current limit for DC/DC Converters.
- Built-In Thermal Shutdown Function.
- Built-In Battery OVP Function.
- TQFN40 Package (5mmx5mm).

General Description

The G2207 provide a complete power supply solution for digital cameras. They improve performance, component count, and size compared to other multi-channel controllers in 1-cell Li-Ion. On-chip MOSFETs provide up to 92~95% efficiency for critical power supplies. All channels DC/DC operate at one fixed frequency of 1.5MHz/750KHz to optimize size, cost, and efficiency. All Synchronous converters operate at pulse skipping mode at light load. They also feature True-Shutdown as well as internal compensation to minimize external component count.

Applications

DSC and DV Power Supply

Ordering Information

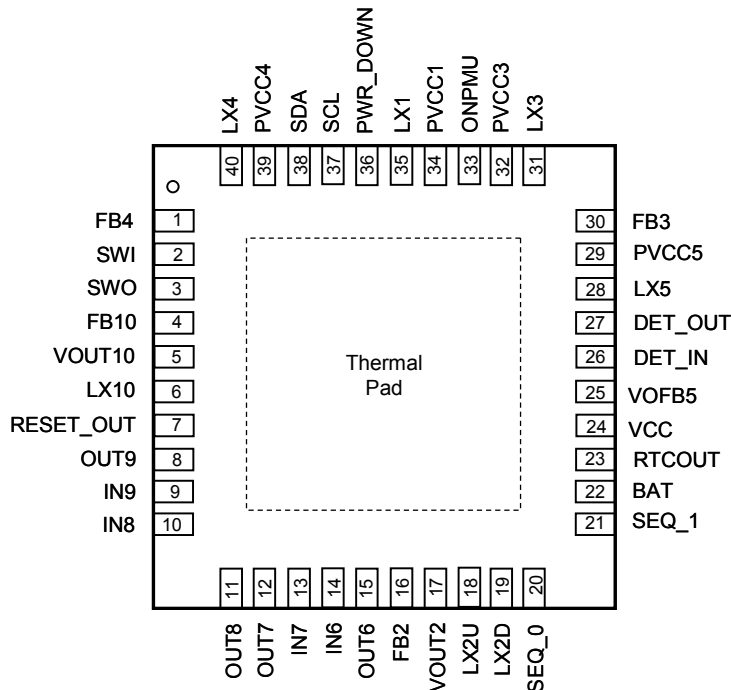
ORDER NUMBER	MARKING	TEMP. RANGE	PACKAGE (Green)
G2207RG1U	2207	-35°C~+85°C	TQFN5X5-40

Note: RG:TQFN5x5-40

1: Bonding code

U: Tape & Reel

Pin Configuration



G2207 TQFN5X5-40

Note: Recommend connecting the Thermal Pad to the Ground for excellent power dissipation.