

## 300kHz DC-DC Step-Down PWM Controller

### Features

- 3.3V, 2.5V, 1.8V Fixed Output or Adjustable Version
- External PMOS Switch
- Available in SOT-23-5 Package
- Input Range 2.5V~5.5V
- Output Tolerance  $\pm 2.5\%$
- Oscillator Frequency 300KHz,  $\pm 15\%$
- Internal Soft-Start
- Standby Current 0.5 $\mu$ A (Max)
- 1V Reference Voltage for Adjustable Version

### Applications

- Electronics Information Organizers
- Palmtops
- Cellular and portable phones
- Portable Audio Systems
- Various Multi-function Power Supplies

### General Description

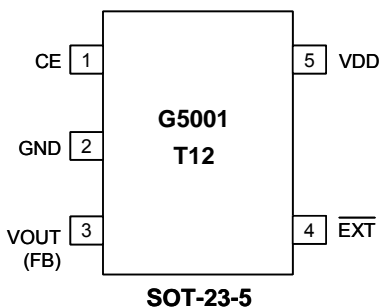
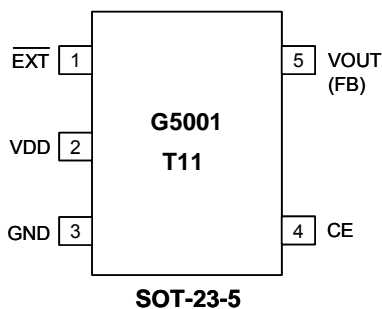
The G5001 series are pure voltage-mode PWM step-down DC/DC converter controllers with built-in high speed low ON resistance drivers.

Large output currents are possible by using an externally connected transistor, coil, diode.

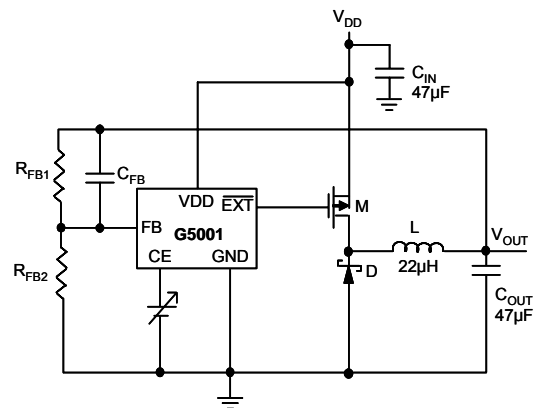
Output voltage is selectable for 1.8, 2.5V, 3.3V ( $\pm 2.5\%$ ). For other output voltages the FB version, which has a 1V internal reference voltage, is available.

With built-in UVLO function, the external switch will be forcibly switched off when used below the stipulated voltage. An internal soft start is available and the soft start time is set up internally.

### Pin Configuration

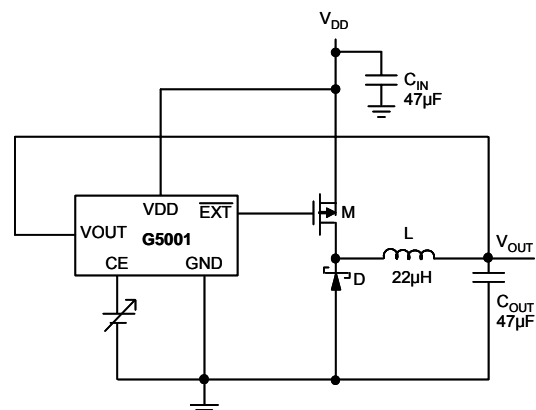


### Typical Application Circuit



Output External Set-up Version

$$V_{OUT} = 1 \cdot \left( 1 + \frac{R_{FB1}}{R_{FB2}} \right)$$



Output Internal Set-up Version

**Ordering Information**

<b>ORDER NUMBER</b>	<b>MARKING</b>	<b>VOLTAGE</b>	<b>TEMP. RANGE</b>	<b>PACKAGE (Pb free)</b>
G5001-ADJT11U	EEADx	Adj	-40°C~85°C	SOT-23-5
G5001-18T11U	EE18x	1.8V	-40°C~85°C	SOT-23-5
G5001-25T11U	EE25x	2.5V	-40°C~85°C	SOT-23-5
G5001-33T11U	EE33x	3.3V	-40°C~85°C	SOT-23-5
G5001-ADJT12U	5EADx	Adj	-40°C~85°C	SOT-23-5
G5001-18T12U	5E18x	1.8V	-40°C~85°C	SOT-23-5
G5001-25T12U	5E25x	2.5V	-40°C~85°C	SOT-23-5
G5001-33T12U	5E33x	3.3V	-40°C~85°C	SOT-23-5

Note: T1: SOT-23-5

1 or 2 : Bonding Code

U: Tape &amp; Reel