



# Switching Regulator Power Controller

## Features

- 2.2V~6V Supply Voltage Operating Range
- Low Current Consumption: 5mA in Operation, 1µA or Less in Stand-by
- 20kHz to 1MHz Operation Frequency Range
- Built-In Soft Start Circuit
- Built-In Timer-Latch Type Short Circuit Detection and Protection (SCP) Circuit
- Use External Resistor to Set a Fixed Output Current

## Applications

- LCD Displays
- PDAs
- Digital Still Cameras

## General Description

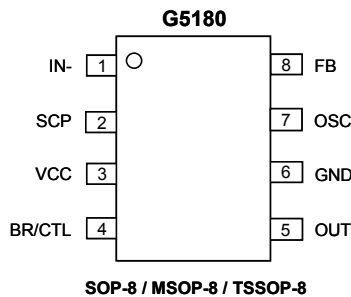
The G5180 is a single-channel PWM control IC for low voltage DC/DC conversion incorporating a soft start function and short circuit detection function. The device has a low minimum operating voltage of 2.2V and is ideal for the power supply of battery-operated electronic equipment.

## Ordering Information

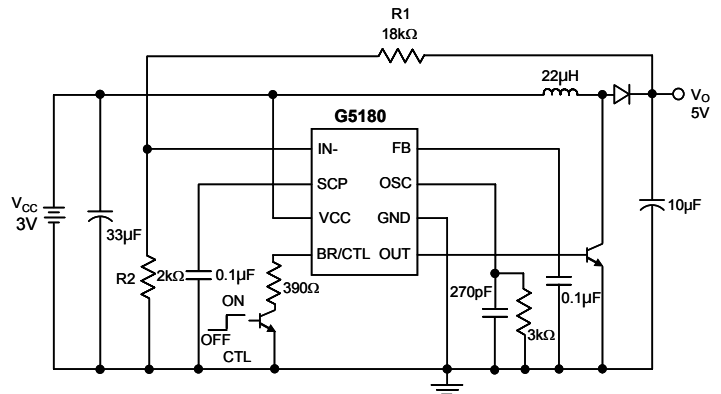
ORDER NUMBER	MARKING	TEMP. RANGE	PACKAGE (Pb free)
G5180P1U	G5180	0°C to 85°C	SOP-8
G5180P8U	G5180	0°C to 85°C	MSOP-8
G5180D1U	G5180	0°C to 85°C	TSSOP-8

Note: P1: SOP-8 P8: MSOP-8 D1: TSSOP-8  
U: Tape & Reel

## Pin Configuration



## Typical Application Circuit



$$V_o = 0.5 \times \left(1 + \frac{R1}{R2}\right)$$