

Asynchronous Voltage Mode Controller

Features

- Input Voltage: 4.5V to 27V
- Output Voltage (700mV to 90% V_{IN})
- 200mA Internal P-Channel FET Driver
- Voltage Feed-Forward Compensation
- Undervoltage Lockout
- Hiccup Overcurrent Fault Recovery
- Programmable Fixed Frequency (35~500KHz) Operation
- Programmable Short Circuit Protection
- 700 mV 1% Reference Voltage
- Programmable Closed Loop Soft Start
- Disable Function Available
- Programmable Over-Voltage Protection
- MSOP-10 with Exposed Pad Package Available

Applications

- Telecom
- DSL/Cable Modems
- Scanners
- Power Applications

Ordering Information

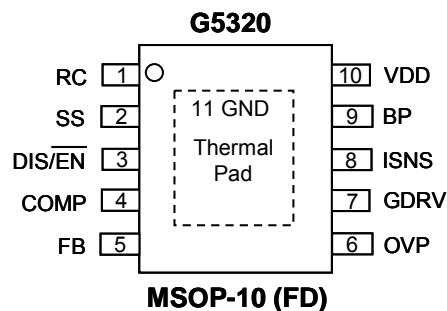
ORDER NUMBER	MARKING	TEMP. RANGE	PACKAGE (Green)
G5320F61U	G5320	-40°C to +125°C	MSOP-10 (FD)

Note: F6: MSOP-10 (FD)

1: Bonding Code

U: Tape & Reel

Pin Configuration



Note: Recommend connecting the Thermal Pad to the Ground for excellent power dissipation.