

Current Mode Boost Controller

Features

- Input Voltage: 4.5V to 27V
- Adjustable Oscillator Frequency
- Fixed Frequency Current Mode Control
- Integrated Low-Side Driver
- Programmable Soft Start
- Over Current Protection
- Reference 700mV
- Low Power Shutdown Function

Applications

- LED Lighting
- Industrial Control Systems
- Battery Powered Systems

General Description

The G5322 is a wide input voltage (4.5V to 27V), non-synchronous boost controller. It is suitable for topologies including boost, flyback, SEPIC and various LED Driver applications which require a grounded source N-channel FET. The device features include programmable soft start, over current protection with automatic retry, programmable oscillator frequency and integrated Low-side driver. Current mode control provides improved transient response and simplified loop compensation.

Ordering Information

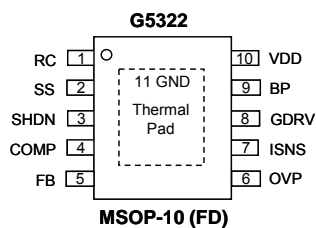
ORDER NUMBER	MARKING	TEMP. RANGE	PACKAGE (Green)
G5322F61U	G5322	-40°C to +125°C	MSOP-10 (FD)

Note:F6:MSOP-10 (FD)

1: Bonding Code

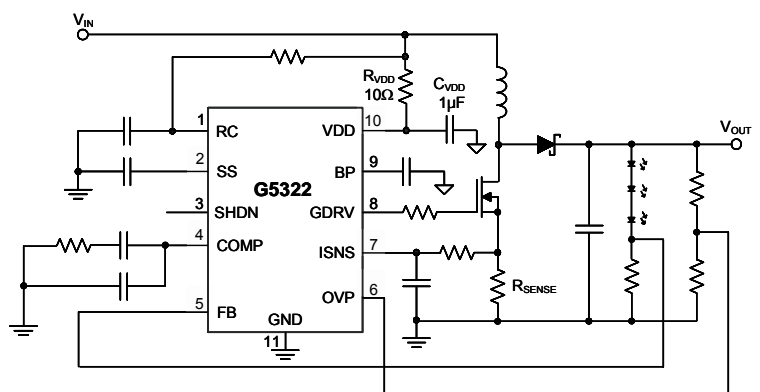
U: Tape & Reel

Pin Configuration



Note: Recommend connecting the Thermal Pad to the Ground for excellent power dissipation.

Typical Application Circuit



Current Mode Boost Controller

Features

- Input Voltage: 4.5V to 27V
- Adjustable Oscillator Frequency
- Fixed Frequency Current Mode Control
- Integrated Low-Side Driver
- Programmable Soft Start
- Over Current Protection
- Reference 700mV
- Low Power Shutdown Function

Applications

- LED Lighting
- Industrial Control Systems
- Battery Powered Systems

General Description

The G5322A is a wide input voltage (4.5V to 27V), non-synchronous boost controller. It is suitable for topologies including boost, flyback, SEPIC and various LED Driver applications which require a grounded source N-channel FET. The device features include programmable soft start, over current protection with automatic retry, programmable oscillator frequency and integrated Low-side driver. Current mode control provides improved transient response and simplified loop compensation.

Ordering Information

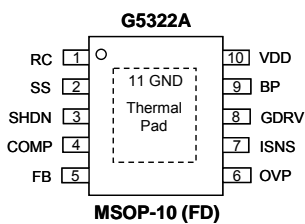
ORDER NUMBER	MARKING	TEMP. RANGE	PACKAGE (Green)
G5322AF61U	G5322A	-40°C to +125°C	MSOP-10 (FD)

Note:F6:MSOP-10 (FD)

1: Bonding Code

U: Tape & Reel

Pin Configuration



Note: Recommend connecting the Thermal Pad to the Ground for excellent power dissipation.

Typical Application Circuit

