

## Wide AC Input Range Controller IC for Offline LED Lamps

### Features

- Simple solution for offline lighting applications
- Application voltage range 80VAC – 277VAC
- Low quiescent current
- Programmable off-time allows for constant ripple current
- Input supply under-voltage lockout
- Thermal shutdown
- No visible flicker
- SOP-8 package

### Applications

- Retro Fit Lamps
- Solid State Lighting
- LED modules such as LED spots, down-lights
- LED strings suitable for retail displays, etc.

### General Description

The G5356 is an LED driver for AC line input lamps. It features a simple solution with non-isolated buck topology for off-line lighting applications. The device uses fixed off-time and average current sensing voltage to reduce the amount of external components. Additional features include thermal shutdown and input supply under-voltage lockout.

### Ordering Information

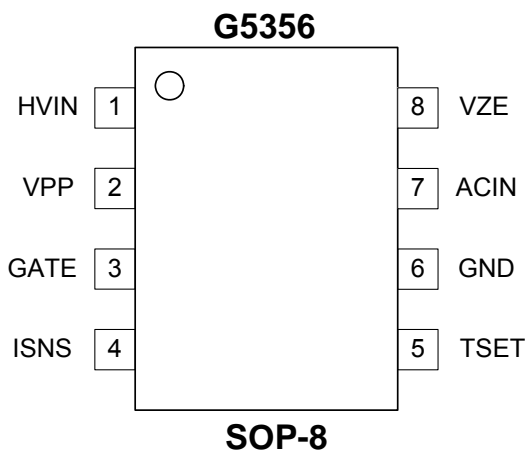
ORDER NUMBER	MARKING	TEMP. RANGE	PACKAGE (Green)
G5356P11U	G5356	-25°C to +125°C	SOP-8

Note: P1: SOP-8.

1: Bonding Code

U: Tape & Reel

### Pin Configuration



### Typical Application Circuit

