

N-MOSFET Load Switch Controller with Discharge Paths

Features

- Low Quiescent Currents
- Over-Temperature Protection
- 2 Discharge Paths
- SC-70-6 (SOT-363) Package

Applications

- Notebook Computers
- Battery-Powered Systems

General Description

G5938 is a fully-integrated, N-MOSFET load switch controller with 2 discharge paths. It provides a high voltage for external N-MOSFET switches to conduct voltage sources as EN pin set high. When EN pin set low, the G5938 turns the external N-MOSFET switches off and, then, provides 2 discharge paths for the residual voltages at battery-powered systems. An almost constant power discharge technique is implemented for the residual voltages. There is also an over-temperature protection built-in the G5938.

The G5938 is available in 6-pin SC-70-6 (SOT-363) package.

Ordering Information

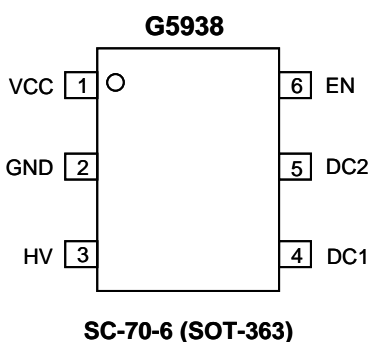
ORDER NUMBER	MARKING	TEMP. RANGE	PACKAGE (Green)
G5938TL1U	598x	0°C to +85°C	SC-70-6 (SOT-363)

Note: TL: SC-70-6 (SOT-363)

1: Bonding Cod

U: Tape & Reel

Pin Configuration



Typical Application Circuit

