

Resistor-Programmable SOT Temperature Switches

Features

- $\pm 0.5^{\circ}\text{C}$ Typical Threshold Accuracy
- $\pm 3.5^{\circ}\text{C}$ (max) Threshold Accuracy (0°C to $+125^{\circ}\text{C}$)
- Temperature Threshold Set by a 1% External Resistor
- Low 33 μA Supply Current
- Open-Drain Active Low Output Stage
- Guaranteed Reset Valid to $V_{\text{CC}} = 0.8\text{V}$
- Pin-Selectable 2°C or 10°C Hysteresis
- SOT-23-5, SOT-23-6, TDFN2X2-8 and ADFN1.5X1.5-6 Packages

Applications

- μP Temperature Monitoring in High-Speed Computers
- Temperature Control
- Temperature Alarms
- Fan Control
- Automotive

General Description

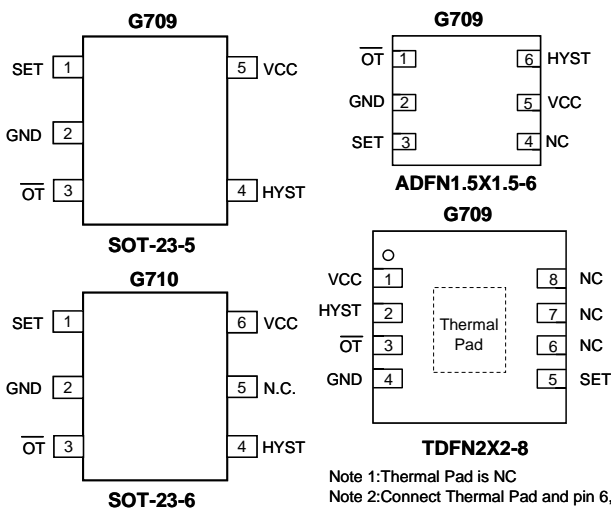
The G709/G710 are fully integrated, resistor programmable temperature switches with thresholds set by an external resistor. They require only one external resistor to set the temperature threshold within a wide 0°C to $+125^{\circ}\text{C}$ temperature range. The G709/G710 provides an open-drain, active low output. These switches operate with a $+2.7\text{V}$ to $+5.5\text{V}$ single supply while providing a temperature threshold accuracy of $\pm 0.5^{\circ}\text{C}$ (typ) or $\pm 3.5^{\circ}\text{C}$ (max). They typically consume 33 μA supply current. Hysteresis is pin selectable to 2°C or 10°C .

Ordering Information

ORDER NUMBER (Pb free/Green)	MARKING	TEMP. RANGE	PACKAGE
G709T1Uf	709xx	$-40^{\circ}\text{C}\sim+125^{\circ}\text{C}$	SOT-23-5
G709RCUf	709	$-40^{\circ}\text{C}\sim+125^{\circ}\text{C}$	TDFN2X2-8
G709A3U	79 xx	$-40^{\circ}\text{C}\sim+125^{\circ}\text{C}$	ADFN1.5X1.5-6
G710TBUf	710xx	$-40^{\circ}\text{C}\sim+125^{\circ}\text{C}$	SOT-23-6

Note: T1 : SOT-23-5 TB : SOT-23-6 A3:ADFN1.5X1.5-6 RC:TDFN2X2-8
U : Tape & Reel

Pin Configuration



Note 1: Thermal Pad is NC
 Note 2: Connect Thermal Pad and pin 6,7,8 to heat source by PCB copper for good heat conduction.

Typical Application Circuit

