



150mA Low-Dropout Linear Regulators

Features

- Low, 100 μ A No-Load Supply Current
- Guaranteed 150mA Output Current
- Dropout Voltage is 210mV @ 150mA Load
- Over-Temperature Protection and Short-Circuit Protection
- Max. Supply Current in Shutdown Mode < 1 μ A
- Stable with Low Cost Ceramic Capacitors
- EN with Internal Pull-Low Resistance

Applications

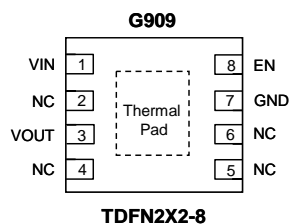
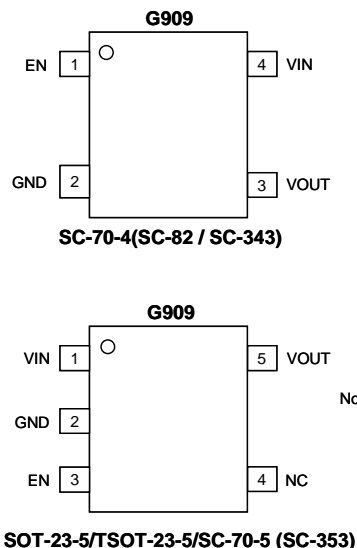
- Notebook Computers
- Cellular Phones
- PDAs
- Digital still Camera and Video Recorders
- Hand-Held Devices
- Bar Code Scanners

General Description

The G909 is a low supply current, low dropout linear regulator that comes in a space saving SOT-23-5, TSOT-23-5, SC-70-4 (SC-82 / SOT-343), SC-70-5 (SOT-353) and TDFN2X2-8 package. The supply current at no-load is 100 μ A. In the shutdown mode, the maximum supply current is less than 1 μ A. The over-current protection limit is set at 240mA typical. An overtemperature protection circuit is built-in in the G909 to prevent thermal overload. These power saving features make the G909 ideal for use in the battery-powered applications such as notebook computers, cellular phones, and PDA's.

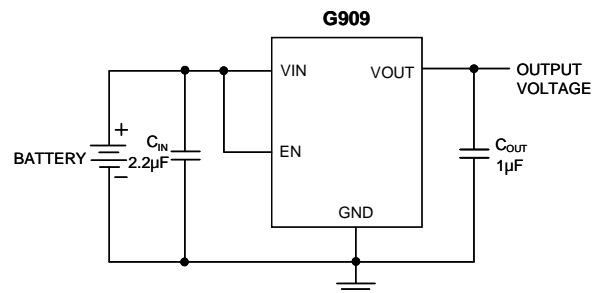
These devices feature an enable function and are offered in active high with auto discharge. The G909 is specifically designed to employ ceramic output capacitors as low as 0.47 μ F. The G909 comes in a space saving SOT-23-5, TSOT-23-5, SC-70-4 (SC-82 / SOT-343), SC-70-5 (SOT-353) and TDFN2X2-8 package.

Pin Configuration



Note: Recommend connecting the Thermal Pad to the Ground for excellent power dissipation.

Typical Application Circuit



**Ordering Information**

ORDER NUMBER	MARKING	VOLTAGE	TEMP. RANGE	PACKAGE (Green)
G909-250T1U	909Nx	2.50V	-40°C~ +85°C	SOT-23-5
G909-280T1U	909Qx	2.80V	-40°C~ +85°C	SOT-23-5
G909-330T1U	909Vx	3.30V	-40°C~ +85°C	SOT-23-5
G909-350T1U	909Wx	3.50V	-40°C~ +85°C	SOT-23-5
G909-250TOU	909Nx	2.50V	-40°C~ +85°C	TSOT-23-5
G909-280TOU	909Qx	2.80V	-40°C~ +85°C	TSOT-23-5
G909-330TOU	909Vx	3.30V	-40°C~ +85°C	TSOT-23-5
G909-350TOU	909Wx	3.50V	-40°C~ +85°C	TSOT-23-5
G909-180TVU	90Hx	1.80V	-40°C~ +85°C	SC-70-4(SC-82 / SOT-343)
G909-280TVU	90Qx	2.80V	-40°C~ +85°C	SC-70-4 (SC-82 / SOT-343)
G909-300TVU	90Sx	3.00V	-40°C~ +85°C	SC-70-4 (SC-82 / SOT-343)
G909-350TVU	90Zx	3.50V	-40°C~ +85°C	SC-70-4 (SC-82 / SOT-343)
G909-250TAU	90Nx	2.50V	-40°C~ +85°C	SC-70-5 (SOT-353)
G909-280TAU	90Qx	2.80V	-40°C~ +85°C	SC-70-5 (SOT-353)
G909-330TAU	90Vx	3.30V	-40°C~ +85°C	SC-70-5 (SOT-353)
G909-120RCU	909C	1.20V	-40°C~ +85°C	TDFN2X2-8

For other output voltage, please contact us at sales@gmt.com.tw

Note:T1: SOT-23-5 TO: TSOT-23-5 TV: SC-70-4 (SC-82 / SOT-343) TA: SC-70-5 (SOT-353) RC: TDFN2X2-8

U: Tape & Reel