

Dual, 300mA Low-Dropout Linear Regulators

Features

- Two Low-Dropout-Voltage Regulators
- 300mA Output Current for Each LDO
- Independent Enable Control
- Dropout Voltage is 100mV@ 100mA Load
- Over-Temperature Protection and Short-Circuit Protection
- 1.2V to 3.3V Factory-Preset Output
- Max. Supply Current in Shutdown Mode < 1μA
- Small Ceramic Output Capacitors

Applications

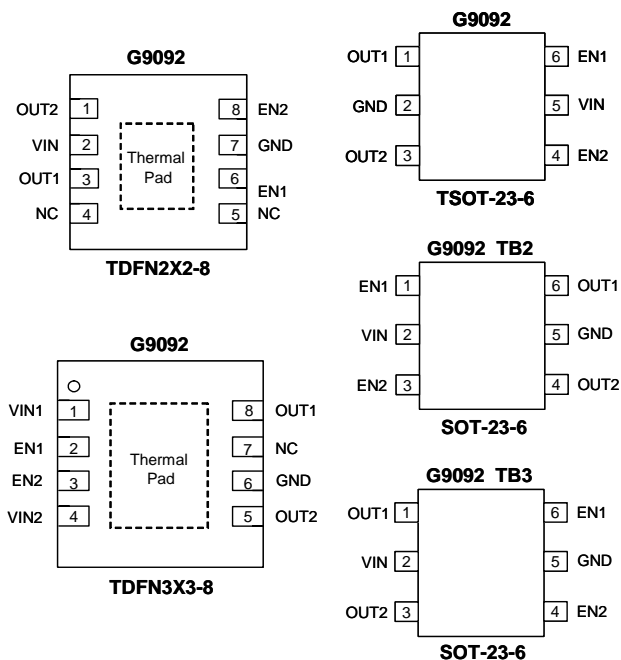
- Notebook Computers
- Cellular Phones
- PDAs
- Digital still Camera and Video Recorders
- Hand-Held Devices
- Bar Code Scanners

General Description

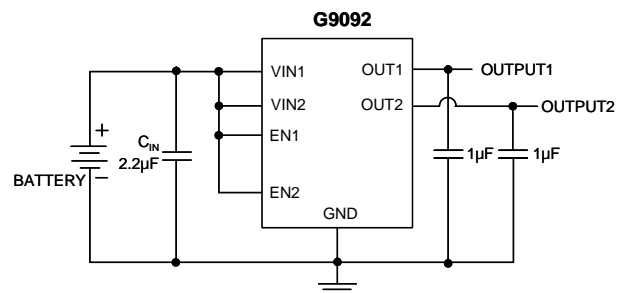
The G9092 is a dual, low supply current, low dropout linear regulator that comes in a space saving SOT-23-6, TSOT-23-6, TDFN2X2-8 and TDFN3X3-8 package. The supply current at no-load is 200μA. In the shutdown mode, the maximum supply current is less than 1μA. Output voltage range of the G9092 is from 1.2V to 3.3V. The over-current protection limit is set at 400mA typical. An over-temperature protection circuit is built-in in the G9092 to prevent thermal overload. These power saving features make the G9092 ideal for use in the battery-powered applications such as notebook computers, cellular phones, and PDA's.

These devices feature a shutdown function and are offered in active low with auto discharge. The G9092 comes in a space saving SOT-23-6, TSOT-23-6, TDFN2X2-8 and TDFN3X3-8 package.

Pin Configuration



Typical Application Circuit





Ordering Information

ORDER NUMBER	MARKING	OUT1	OUT2	TEMP. RANGE	PACKAGE (Green)
G9092HRTB2U	92HRx	1.8V	3.3V	-40°C~+85°C	SOT-23-6
G9092HQTb2U	92HQx	1.8V	3.0V	-40°C~+85°C	SOT-23-6
G9092HNTB2U	92HNx	1.8V	2.8V	-40°C~+85°C	SOT-23-6
G9092HLTB2U	92HLx	1.8V	2.5V	-40°C~+85°C	SOT-23-6
G9092HOTB2U	92HOx	1.8V	2.85V	-40°C~+85°C	SOT-23-6
G9092NNTB2U	92NNx	2.8V	2.8V	-40°C~+85°C	SOT-23-6
G9092RNTB2U	92RNx	3.3V	2.8V	-40°C~+85°C	SOT-23-6
G9092OOTB3U	9BOOx	2.85V	2.85V	-40°C~+85°C	SOT-23-6
G9092FNTP1U	90FNx	1.5V	2.8V	-40°C~+85°C	TSOT-23-6
G9092HNTP1U	90HNx	1.8V	2.8V	-40°C~+85°C	TSOT-23-6
G9092LLTP1U	90LLx	2.5V	2.5V	-40°C~+85°C	TSOT-23-6
G9092LRTP1U	90LRx	2.5V	3.3V	-40°C~+85°C	TSOT-23-6
G9092NRTP1U	90NRx	2.8V	3.3V	-40°C~+85°C	TSOT-23-6
G9092QQTP1U	90QQx	3.0V	3.0V	-40°C~+85°C	TSOT-23-6
G9092RNTP1U	90RNx	3.3V	2.8V	-40°C~+85°C	TSOT-23-6
G9092NHRC1U	90NH	2.8V	1.8V	-40°C~+85°C	TDFN2X2-8
G9092FNRD1U	9N2FN	1.5V	2.8V	-40°C~+85°C	TDFN3X3-8
G9092HNRD1U	9N2HN	1.8V	2.8V	-40°C~+85°C	TDFN3X3-8
G9092HRRD1U	9N2HR	1.8V	3.3V	-40°C~+85°C	TDFN3X3-8
G9092LLRD1U	9N2LL	2.5V	2.5V	-40°C~+85°C	TDFN3X3-8
G9092LRRD1U	9N2LR	2.5V	3.3V	-40°C~+85°C	TDFN3X3-8
G9092NRRD1U	9N2NR	2.8V	3.3V	-40°C~+85°C	TDFN3X3-8
G9092QQRD1U	9N2QQ	3.0V	3.0V	-40°C~+85°C	TDFN3X3-8
G9092RNRD1U	9N2RN	3.3V	2.8V	-40°C~+85°C	TDFN3X3-8

Note: TB: SOT-23-6 TP: TSOT-23-6 RC: TDFN2X2-8 RD: TDFN3X3-8

1, 2 & 3: Bonding Code

U: Tape & Reel