

## 300mA High PSRR, Low Noise, LDO Regulators

### Features

- Low, 100 $\mu$ A No-Load Supply Current
- Guaranteed 300mA Output Current
- Dropout Voltage is 200mV @ 150mA Load
- PSRR=65dB
- Over-Temperature Protection and Short-Circuit Protection
- Adjustable Mode: from 1.2V to 5.5V
- Max. Supply Current in Shutdown Mode < 1 $\mu$ A
- Stable with low cost ceramic capacitors

### Applications

- Notebook Computers
- Cellular Phones
- PDAs
- Digital still Camera and Video Recorders
- Hand-Held Devices
- Audio Codec

### General Description

The G917 series is a low supply current, high PSRR, low noise, and low dropout linear regulator that comes in a space saving SOT-23-5 package. The supply current at no-load is 100 $\mu$ A. In the shutdown mode, the maximum supply current is less than 1 $\mu$ A. Operating voltage range is from 2.5V to 6.0V. The over-current protection limit is set at 750mA typical. An over-temperature protection circuit is built-in in the Device to prevent thermal overload. These power saving features make the G917 series ideal for use in the battery-powered applications such as notebook computers, cellular phones, and PDA's.

The G917 has two modes of operation. When the SET pin is connected to ground, its output is a pre-set value: 3.3V. There is no external component needed. When an output other than the preset value is needed, two external resistors should be used as a voltage divider. The output voltage is then adjusted by the resistor ratio.

### Ordering Information

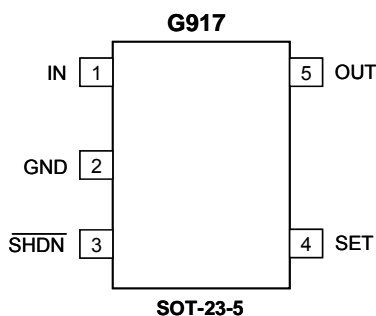
ORDER NUMBER	MARKING	VOLTAGE	TEMP. RANGE	PACKAGE (Green)
G917T11U	917xx	Adjustable	-40°C~ +85°C	SOT-23-5

For other output voltage, please contact us at sales@gmt.com.tw

Note:T1: SOT-23-5

- 1: Bonding Code
- U: Tape & Reel

### Pin Configuration



### Typical Application Circuit

