

## 4X Linear Fan Driver for 12V DC Fan

### Features

- VO Follows 4.0 Times of VSET
- 0.5V Dropout @ 0.5A
- Over Current and Over Temperature Protection
- Enable Pin
- 100µA Quiescent Current in Shutdown
- Power TO-252-5, SOP-8, SOP-8 with power pad Package

### Applications

- Notebook Computer Fan Driver
- Projector Cooling Fan
- Battery Powered Systems
- Motherboards
- Peripheral Cards

### General Description

The G994 is a high performance positive voltage regulator designed for use in applications requiring very low dropout voltage at up to 0.5 Amps. The G994 VO output voltage follows the 4.0 times of VSET voltage until it reaches VIN voltage. The VSET voltage must be larger than 1V to guarantee VO 4.0 times of VSET. An enable pin further reduces power dissipation while shut down. The G994 provides excellent regulation over variations in line, load and temperature.

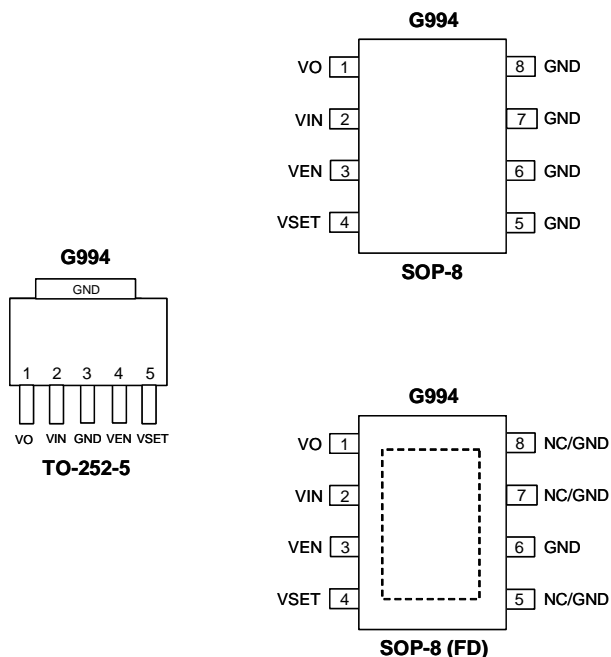
The G994 is available in the power TO-252-5, SOP-8 and SOP-8 with power pad package.

### Ordering Information

ORDER NUMBER	MARKING	TEMP. RANGE	PACKAGE (Pb free)
G994TJU	994	-40°C ~ +85°C	TO-252-5
G994P1U	G994	-40°C ~ +85°C	SOP-8
G994F1U	G994	-40°C ~ +85°C	SOP-8 (FD)

Note: TJ: TO-252-5    P1: SOP-8    F1:SOP (FD)  
U: Tape & Reel

### Pin Configuration



### Typical Application Circuit

