

1.6X Linear Fan Driver

Features

- VO Follows 1.6 Times of VSET
- 150mV Dropout @ 0.5A
- Over Current and Over Temperature Protection
- Enable Pin
- 10 μ A Quiescent Current in Shutdown
- Soft Start to Decrease Inrush Current
- Power SOP-8 and TDFN3X3-8 Package

Applications

- Notebook Computer Fan Driver
- Battery Powered Systems
- Motherboards
- Peripheral Cards

General Description

The G996 is a high performance positive voltage regulator designed for use in applications requiring very low dropout voltage at up to 0.5 Amps. The G996 VO output voltage follows the 1.6 times of VSET voltage until it reaches VIN voltage. The VSET voltage must be larger than 1V to guarantee VO 1.6 times of VSET. An enable pin further reduces power dissipation while shut down. The G996 provides excellent regulation over variations in line, load and temperature.

The G996 is available in the power SOP-8 and TDFN3X3-8 package.

Ordering Information

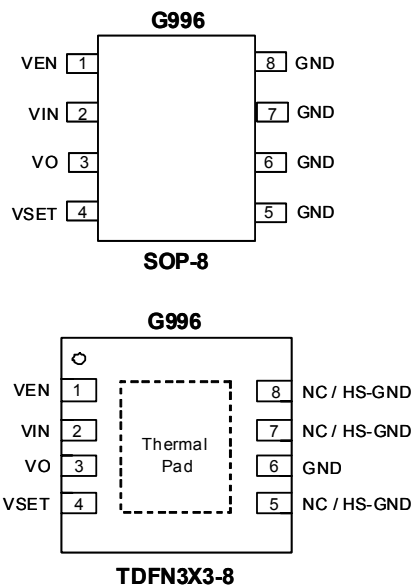
ORDER NUMBER	MARKING	TEMP. RANGE	PACKAGE (Pb free)
G996P11U	G996	-40°C ~ +85°C	SOP-8
G996RD1U	996	-40°C ~ +85°C	TDFN3X3-8

Note: P1: SOP-8 RD: TDFN3X3-8

1: Bonding Code

U: Tape & Reel

Pin Configuration



Note: Recommend connecting the Thermal Pad & 5,7,8 to the GND for power dissipation.

Typical Application Circuit

